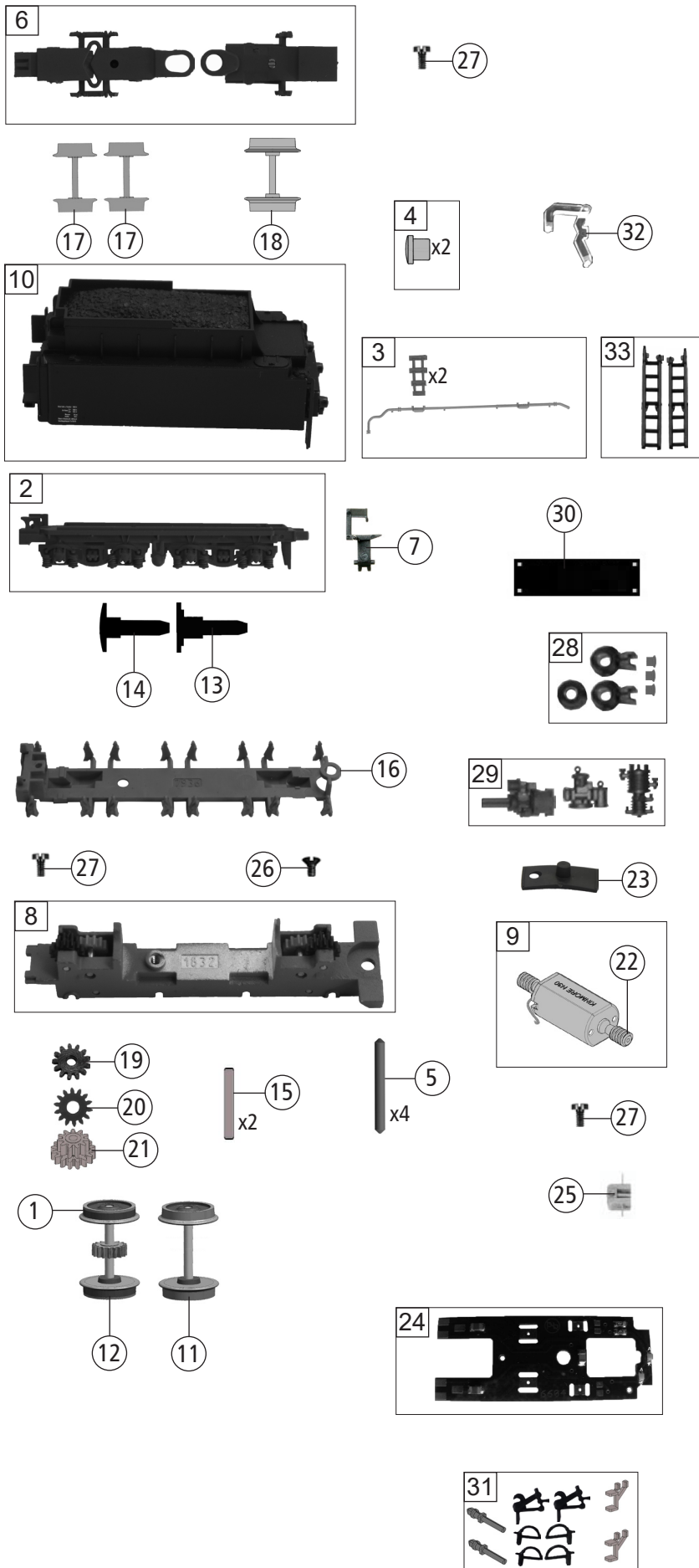


| Pos. Nr. Pos.no. | Beschreibung Description | Art.-Nr. Art.no. | Preisgruppe Price bracket |
|---------------------|--|---------------------|------------------------------|
| 714500 | DB BR 01 | = | N |
| 714570 | | = | N |
| 1 | KESSEL KPL. BETR. NR. 001 150-2 Boiler compl. Loco no 001 150-2 | 10714500 | 32 |
| 2 | UMLAUFBLECH Running board | 45714500 | 26 |
| 3 | TS - LINSE Part set - lens | 00137394 | 4 |
| 4 | LICHTLEITER OBEN+UNTEN Light conductor upper+lower | 13714505 | 7 |
| 5 | WINDLEITBLECH LI.+RE. Wind deflector L+R | 17714409 | 8 |
| 6 | ACHSE Axle | 00527007 | 1 |
| 7 | LOKFAHRGESTELL M. RÄDERN Loco chassis with wheels | 31714500 | 28 |
| 8 | TS-KUPPELSTANGEN Part set-Coupling rods | 32714505 | 18 |
| 9 | DECKPLATTE OBEN+UNTEN Cover plate upper+lower | 43714505 | 11 |
| 10 | FENSTER FÜHRERHAUS LI.+RE. Cabine windows L+R | 14714401 | 5 |
| 11 | TREIBRAD LI. Driving wheel L | 517145051 | 7 |
| 12 | TREIBRAD RE. Driving R | 517145052 | 7 |
| 13 | KUPPELRAD Coupled wheel | 517145053 | 7 |
| 14 | SCHRAUBE M 1,6x5 mm Screw | 110008 | 3 |
| 15 | | | |
| 16 | BOLZEN F. KUPPELSTANGE Bolt for coupling rod | 00730562 | 2 |
| 17 | PUFFER FLACH Buffer flat | 75706700 | 3 |
| 18 | | | |
| 19 | STEUERUNG KPL. Reversing gear complete | 42714500 | 32 |
| 20 | LOKPLATINE KPL. Loco PCB compl. | 65714505 | 21 |
| 21 | BRÜCKENSTECKER NEXT18 Jumper | 149978 | 17 |
| 22 | TS-KESSEL Part set-Boiler | 81714505 | 10 |
| 23 | TS-SANDKASTENDECKEL,LSP.-AUFN. Part set-Sandbox cover,loudsp. reception | 19714575 | 9 |
| 24 | DEICHSEL Draw bar | 38714505 | 6 |
| 25 | ZUGFEDER D=2 L=2,5/6 mm W=25 Draw spring | 109832 | 3 |
| 26 | LOKLAMPE M LINSE Loc. lamp | 197144012 | 6 |
| 27 | TS-SCHIENENRÄUMER Part set-Railguard | 22714505 | 12 |
| 28 | TS - ZUGHAKEN Part set - coupling hooks | 19714401 | 14 |
| 29 | LINSENSCHRAUBE M1,6x2/4,8MM Button screw | 00704902 | 2 |
| 30 | SK-SCHRAUBE M 1,6x3 mm SK-Screw | 125023 | 3 |
| Sound | | | |
| 31 | TRIEBVERKSBELEUCHTUNG Engine illumination | 65714575 | 14 |
| 32 | LAUTSPRECHER Loudspeaker | 68702500 | 16 |
| 33 | SOUNDDECODER Sound decoder | 68159018 | 39 |

Änderungen in Konstruktion und Ausführung vorbehalten
We reserve the right to change the construction and specification



| Pos. Nr. Pos.no. | Beschreibung Description | Art.-Nr. Art.no. | Preisgruppe Price bracket |
|---------------------|---|---------------------|------------------------------|
| 714500 | DB BR 01 | = | N |
| 714570 | | = | N |
| 1 | HAFTREIFEN D=5,5 B=1,3 mm Traction tyre | 00547001 | 1 |
| 2 | TENDERRAHMEN Tender framework | 21714500 | 12 |
| 3 | TS-LEITERN,... Part set-Ladders,... | 22714402 | 8 |
| 4 | TS - LINSE Part set - Lens | 00137394 | 4 |
| 5 | ACHSE Axle | 00527009 | 1 |
| 6 | VOR+NACHLAUFGESTELL Front+rear carrying wheels | 37714505 | 9 |
| 7 | KUPPLUNG N-SPUR Coupling | 98189 | 6 |
| 8 | TENDERFAHRGESTELL M. ZAHNRÄDER Tender chassis with gear wheels | 41714401 | 19 |
| 9 | MOTOR M. SCHNECKE Motor w. wormgear | 50714505 | 23 |
| 10 | TENDERGEHÄUSE KPL. Tender body complete | 20714500 | 30 |
| 11 | RADSATZ O.Z. Wheelset w/o gear wheel | 53718500 | 10 |
| 12 | RADSATZ M.Z.M.N. Wheelset w. gear wheel w. groove | 53718400 | 11 |
| 13 | PUFFER FLACH Buffer flat | 75706700 | 3 |
| 14 | PUFFER GEWÖLBT Buffer vaulted | 75706600 | 3 |
| 15 | ZAHNRADACHSE D=1,5 L=5,7 mm Axle for gearwheel | 144134 | 4 |
| 16 | TENDER DECKPLATTE UNTEN Tender lower cover plate | 43714401 | 4 |
| 17 | VORLAUFRADSATZ Carrying wheelset compl. | 00537046 | 11 |
| 18 | NACHLAUFRADSATZ Carrying wheelset (rear) | 00537020 | 12 |
| 19 | ZAHNRAD Z=9/14 Gearwheel | 00567145 | 6 |
| 20 | ZAHNRAD Z=14 Gearwheel | 86496 | 3 |
| 21 | ZAHNRAD Z=11/16 Gearwheel | 56720100 | 4 |
| 22 | SCHNECKE Worm gear | 56762510 | 6 |
| 23 | MOTORHALTER Motor holder | 50792400 | 3 |
| 24 | LEITERPLATTE KPL. (TENDER) PCB complete | 65724700 | 17 |
| 25 | ADAPTER Adaptor | 00387009 | 5 |
| 26 | GF-SCHRAUBE GF - screw | 115269 | 3 |
| 27 | SK-SCHRAUBE M 1,6x3 mm SK-Screw | 125023 | 3 |
| 28 | TS-REFLEXLAMPE MIT LINSE Part set-Reflex lamp with lenses | 197144013 | 10 |
| 29 | TS-WASSER+LUFTPUMPE Part set-Water+air pump | 197160007 | 9 |
| 30 | NUMMERTAFEL Number plate | 18714500 | 8 |
| 31 | ZURÜSTBEUTEL Bag of accesories | 19714505 | 15 |
| 32 | LICHTLEITER TENDER Light conductor for tender | 23714401 | 4 |
| 33 | TS-LEITERN Part set-Ladders | 22714401 | 6 |